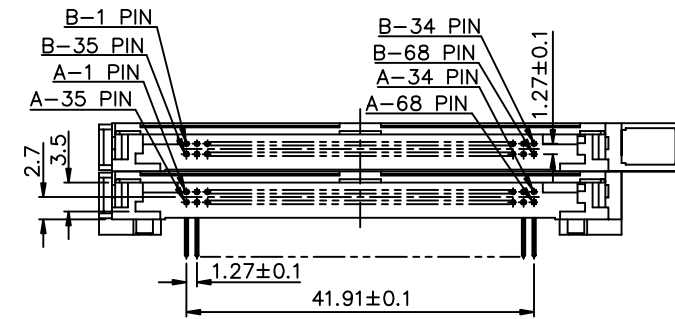
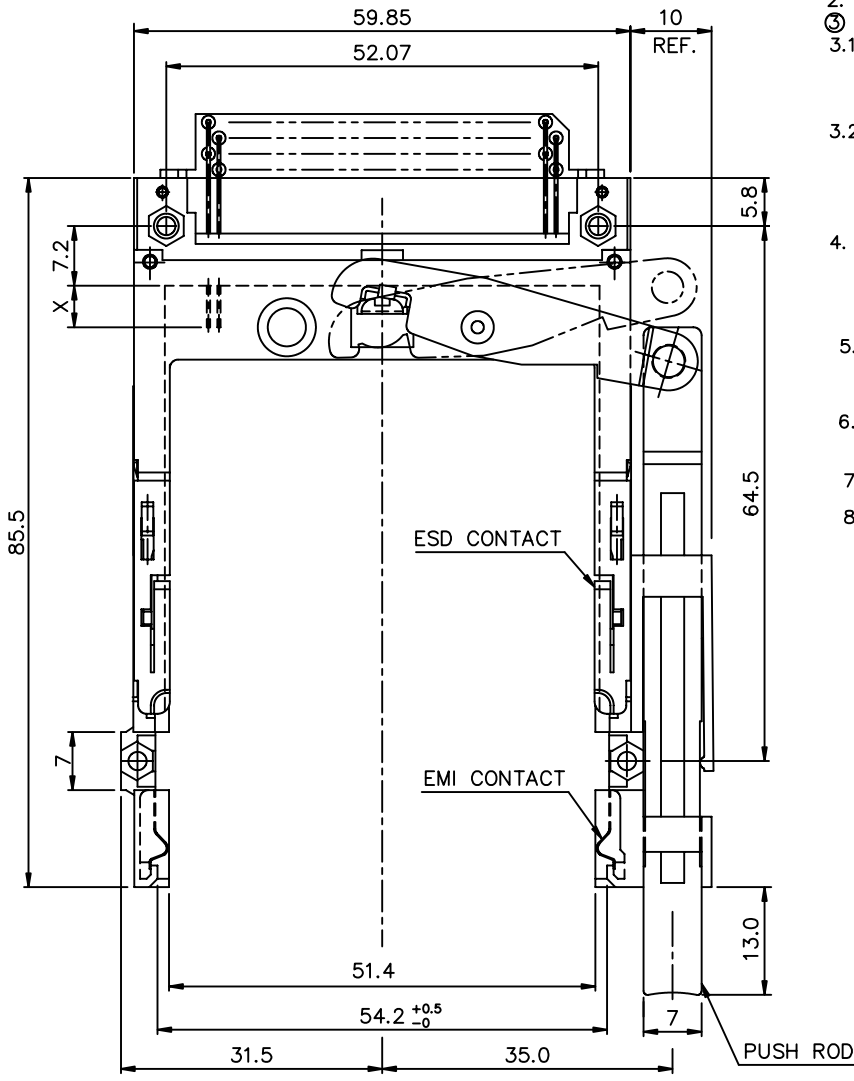
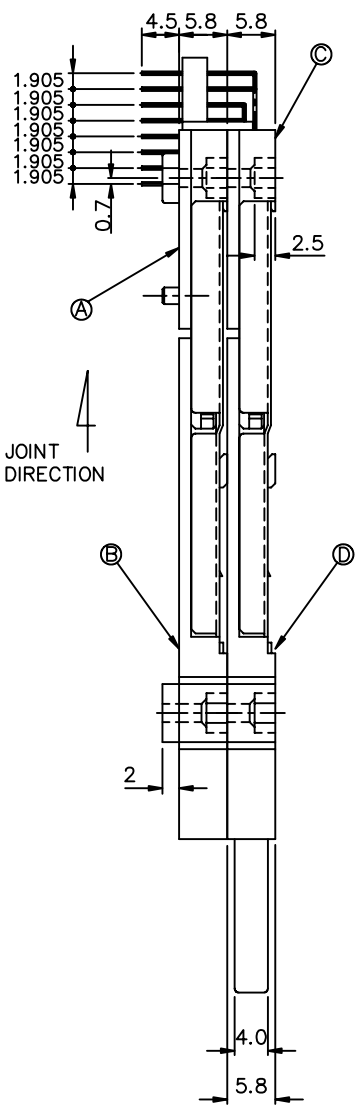


PRODUCT NO.

61848-220CA/220CALF

Tous droits strictement réservés. Reproduction ou communication, a des tiers int sous quelque forme que ce soit sans autorisation écrite du propriétaire. Property of c BERG ELECTRONICS. Droits de reproduction BERG ELECTRONICS by

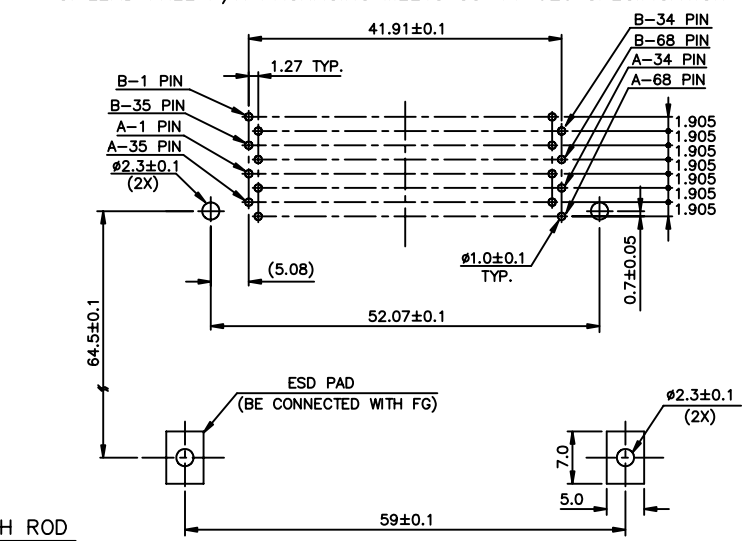
All rights strictly reserved. Reproduction or issue to third parties in any for whatever is not permitted without written authority from the proprietor. Property of c BERG ELECTRONICS. Copyright BERG ELECTRONICS by



NOTES:

- EJECT FORCE : 3.5 Kg MAX.
- EJECT TRAVEL: 8.0mm
- MATERIAL
 - 3.1 PART A AND C (HEADER ASS'Y)
PLASTIC : HOUSING ...LCP UL94V-0 BLACK
: LOCATOR ...G.F. 6/6 NYLON UL94-VO BLACK
PIN : PHOSPHOR BRONZE
 - 3.2 PART B AND D (EJECT MECHANISM ASS'Y)
PLASTIC : GUIDE: POLYPHTHARAMID UL94V-0 BLACK
: PUSH ROD: POLYPHTHARAMID UL94V-0 BLACK
PLATE : STAINLESS
EMI CONTACT: PHOSPHOR BRONZE
- FINISH (PIN)
UNDER PLATING : 0.5 um MIN. Ni
CONTACT AREA : 0.1 um MIN. GOLD OVER 0.5 um MIN. Pd-Ni
SOLDER TAIL : 2.5 um MIN. Sn-Pb
: 2.5 um MIN. PURE Sn (FOR -*****F)

DIM "X"	4.25±0.1	3.5±0.1	5.0±0.1
	OTHERS	36,67	1,17,34,35,51,68



4 CARD INSERTION DIRECTION

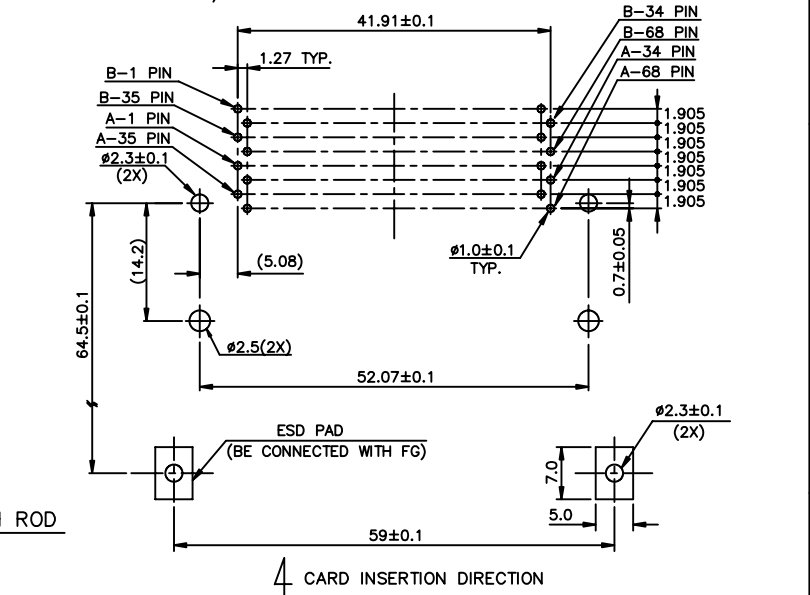
mat'l code		tolerance unless otherwise specified		CUSTOMER COPY		FCI ELECTRONICS	
rev.	ecn no.	dr	date	linear	±0.30	projection	title
A	T70129	WL	04/02/97				68P DOUBLE EJECTOR HEADER ASS'Y FOR TYPE 1/2/3
B	T00288	WL	09/18/00				
C	N05-0192	WB	07/04/05	angles	±2°		
		dr	C M HSU	03/04/97	unit		product family : PCMCIA
		enr	JOSEPH HSIA	03/04/97	mm/inch		code
		chr	JOSEPH HSIA	03/04/97	scale		TWN
		appd	JENN TASO	03/04/97	1.5:1	A3	sheet 1 OF 2
sheet index	revision sheet	C	C				
		1	2				

PRODUCT NO.
61848-221CA/221CALF

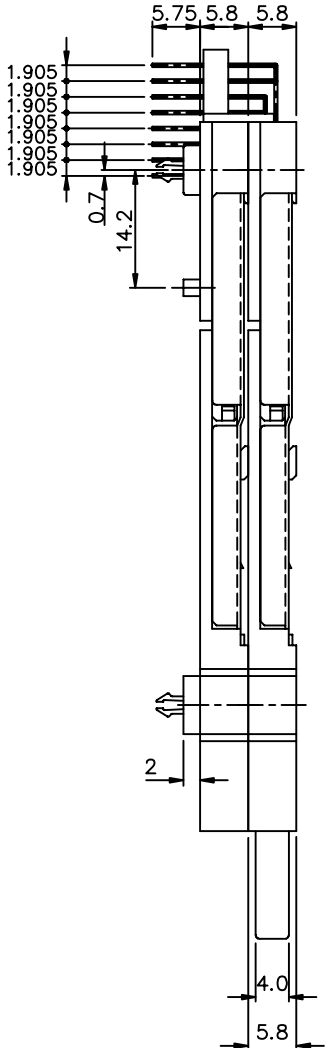
NOTES:

- EJECT FORCE : 3.5 Kg MAX.
- EJECT TRAVEL: 8.0mm
- MATERIAL
 - PART A AND C (HEADER ASS'Y)
PLASTIC : HOUSING ...LCP UL94V-0 BLACK
LOCATOR ...G.F. 6/6 NYLON UL94-VO BLACK
PIN : PHOSPHOR BRONZE
 - PART B AND D (EJECT MECHANISM ASS'Y)
PLASTIC : GUIDE: POLYPHTHARAMID UL94V-0 BLACK
PUSH ROD: POLYPHTHARAMID UL94V-0 BLACK
PLATE : STAINLESS
EMI CONTACT: PHOSPHOR BRONZE
- FINISH (PIN)
UNDER PLATING : 0.5 um MIN. Ni
CONTACT AREA : 0.1 um MIN. GOLD OVER 0.5 um MIN. Pd-Ni
SOLDER TAIL : 2.5 um MIN. Sn-Pb
 : 2.5 um MIN. PURE Sn(FOR -****LF)

5. DIM "X"	4.25±0.1	3.5±0.1	5.0±0.1
	OTHERS	36,67	1,17,34,35,51,68



4 CARD INSERTION DIRECTION

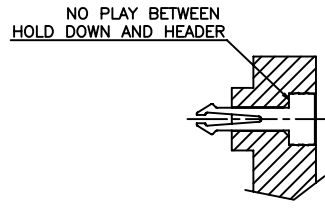


DETAIL A

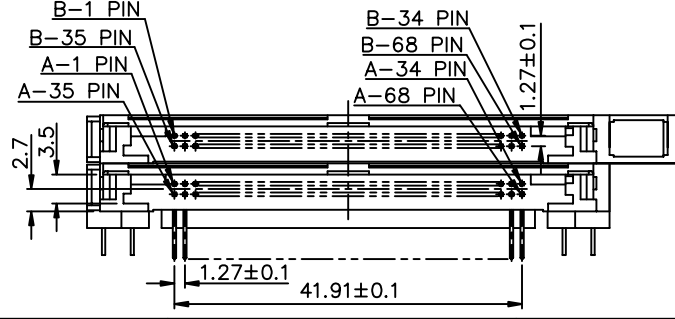
ESD CONTACT

EMI CONTACT

PUSH ROD



DETAIL A



mat'l code		tolerance unless otherwise specified		CUSTOMER COPY		FCI ELECTRONICS	
rev.	ecn no.	dr	date	linear	±0.30	projection	title
C				angles	±2°	⊕	68P DOUBLE EJECTOR HEADER ASS'Y FOR TYPE 1/2/3
				dr	WENDY CEHN 04/20/00	unit	product family : PCMCIA
				enrg	JOSEPH HSIA 04/20/00	mm/inch	code
				chr	JOSEPH HSIA 04/20/00	scale	size
				appd	JOSEPH HSIA 04/20/00	1.5:1	dwg no.
sheet	revision						A3
index	sheet						61848
							2 of 2